

## GGH-456C Glass Door Hinge With Catch (For Overlay Door)

### Features

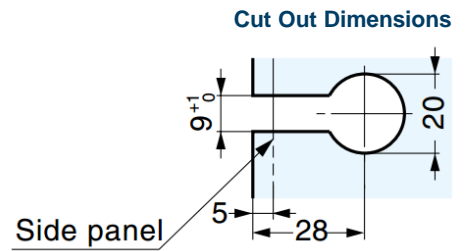
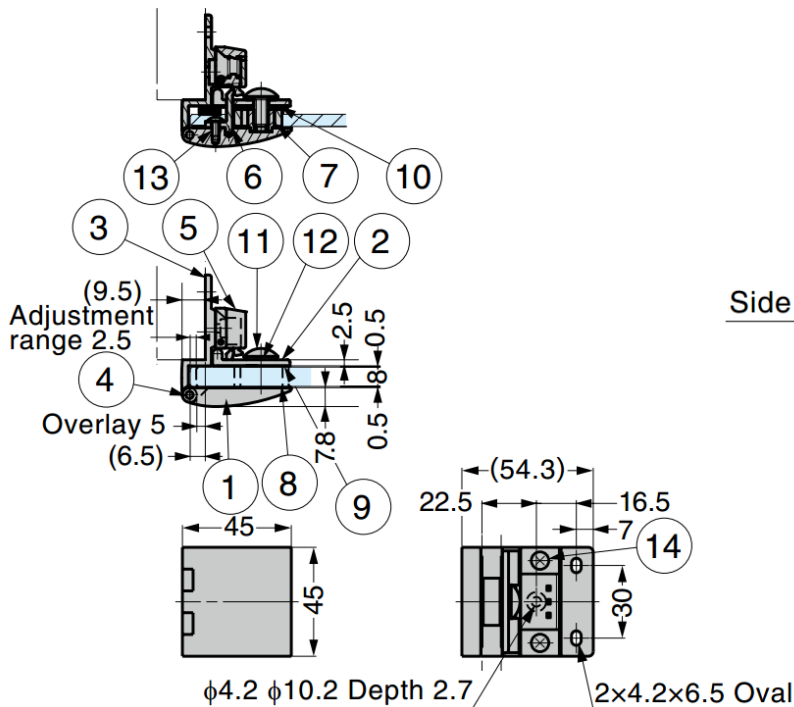
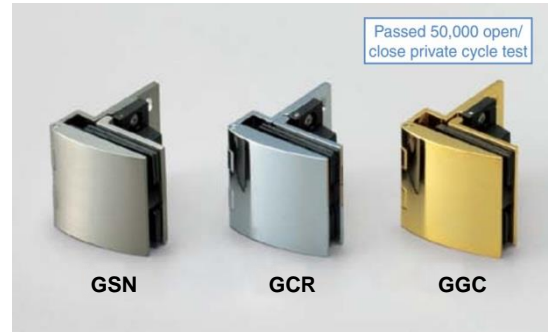
- With catch
- Suitable for showcases and machine covers
- Adjustable mounting position: Vertically  $\pm 1\text{mm}$ , Horizontally  $\pm 1.2\text{mm}$

### Recommended Screws

- Size 4 truss head tapping screw or size 3.8 round head wood screw

### Glass Thickness and Quantity of Spacers

Glass Thickness	5	6	8
Qty of Spacers	3	2	No Spacer



### Notes

- Recommended door dimensions in the below table are based on usage of two hinges for one door

No.	Part Name	Material	Finish
①	Front Plate	Brass	SN: Satin Nickel
②	Fixing Plate C		CR: Chrome
③	Hinge Plate		GC: Gold
④	Shaft	Stainless Steel (SUS303)	Plain
⑤	Catch	-	Black
⑥	Striker	Zinc Alloy (ZDC)	-
⑦	Glass Adjustment Block	PA	Black
⑧	Pad C	PVC	
⑨	Pad D		
⑩	Spacer	PP	
⑪	Truss Head Screw	Stainless Steel	-
⑫	Spring Washer		
⑬	Truss Head Screw		
⑭	Truss Head Screw		

Part No.	Finish	Door Width	Door Height	Glass Thickness	Load Capacity (per pair)	
GGH-456C-SN	Satin Nickel	Max. 650	Max. 1,200	5, 6, 8	148 N	15 kg
GGH-456C-CR	Chrome					
GGH-456C-GC	Gold					